



File Name: 6es7 322-8bh01-0ab0 manual.pdf

Size: 1741 KB

Type: PDF, ePub, eBook

Category: Book

Uploaded: 25 May 2019, 12:16 PM

Rating: 4.6/5 from 730 votes.

Status: AVAILABLE

Last checked: 7 Minutes ago!

In order to read or download 6es7 322-8bh01-0ab0 manual ebook, you need to create a FREE account.

[**Download Now!**](#)

eBook includes PDF, ePub and Kindle version

[Register a free 1 month Trial Account.](#)

[Download as many books as you like \(Personal use\)](#)

[Cancel the membership at any time if not satisfied.](#)

[Join Over 80000 Happy Readers](#)

Book Descriptions:

We have made it easy for you to find a PDF Ebooks without any digging. And by having access to our ebooks online or by storing it on your computer, you have convenient answers with 6es7 322-8bh01-0ab0 manual . To get started finding 6es7 322-8bh01-0ab0 manual , you are right to find our website which has a comprehensive collection of manuals listed.

Our library is the biggest of these that have literally hundreds of thousands of different products represented.



Book Descriptions:

6es7 322-8bh01-0ab0 manual

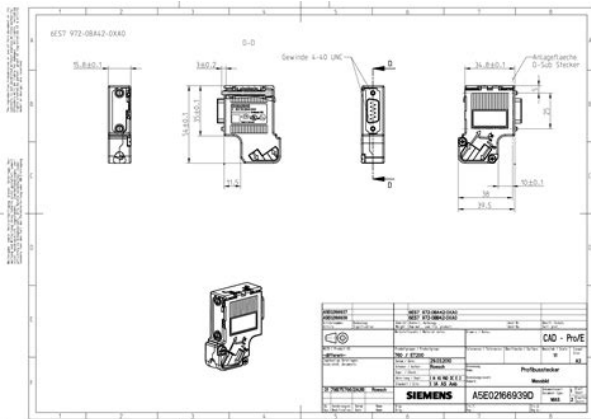


You may have to register before you can post click the register link above to proceed. To start viewing messages, select the forum that you want to visit from the selection below. UserFriendly Manuals. Product Instructions. You may have to register before you can post click the register link above to proceed. To start viewing messages, select the forum that you want to visit from the selection below. UserFriendly Manuals. Product Instructions. http://afzaliqbal.org/userfiles/electronics-workbench-5_12-manual.xml

- **6es7 322-8bh01-0ab0 manual, 1.0, 6es7 322-8bh01-0ab0 manual.**

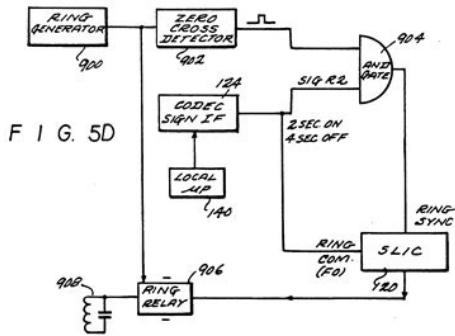
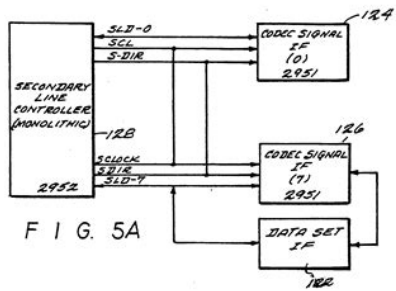


<http://aj-logistics.com/stock/userfiles/electronics-workbench-lab-manual.xml>



<http://www.jfvtransports.com/home/content/bose-personal-amplification-system-manual>

<https://www.hotel-forsthaus.com/images/canon-eos-3000n-instruction-manual.pdf>



<http://www.relais-saint-jean-hotel.com/images/canon-eos-3000-manual.pdf>



<http://grupomarsamo.com/wp-content/plugins/formcraft/file-upload/server/content/files/16274d418d6253---brother-hl-760-manual.pdf>

<http://www.familyreunionapp.com/family/events/bose-pdf-manuals>